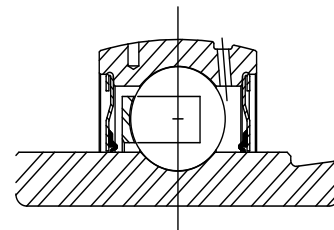
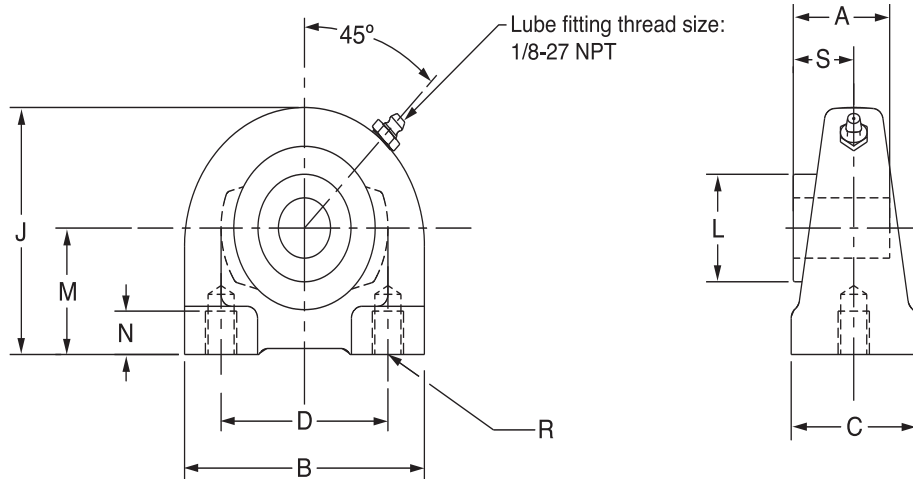




# SELECTION/DIMENSIONS

## Eccentric Collar Ball Bearings SXR NORMAL DUTY TAPPED BASE PILLOW BLOCKS



| Series | Shaft Size | Part No.      | Description |
|--------|------------|---------------|-------------|
| 204    | 3/4        | <b>053219</b> | TB-SXR-012  |
|        | 20mm       | <b>053411</b> | TB-SXR-20M  |
| 205    | 7/8        | @             | TB-SXR-014  |
|        | 15/16      | @             | TB-SXR-015  |
|        | 1          | <b>051885</b> | TB-SXR-100  |
|        | 25mm       | <b>053412</b> | TB-SXR-25M  |
| 206    | 1-1/16     | @             | TB-SXR-101  |
|        | 1-1/8      | <b>053339</b> | TB-SXR-102  |
|        | 1-3/16     | <b>057692</b> | TB-SXR-103  |
|        | 1-1/4      | <b>067926</b> | TB-SXR-104S |
| 207    | 30mm       | <b>053413</b> | TB-SXR-30M  |
|        | 1-1/4      | <b>062307</b> | TB-SXR-104  |
|        | 1-5/16     | @             | TB-SXR-105  |
|        | 1-3/8      | <b>064536</b> | TB-SXR-106  |
| 208    | 1-7/16     | <b>049802</b> | TB-SXR-107  |
|        | 35mm       | <b>053414</b> | TB-SXR-35M  |
|        | 1-1/2      | <b>064910</b> | TB-SXR-108  |
|        | 40mm       | <b>053415</b> | TB-SXR-40M  |
| 209    | 1-5/8      | @             | TB-SXR-110  |
|        | 1-11/16    | <b>068118</b> | TB-SXR-111  |
|        | 1-3/4      | <b>049787</b> | TB-SXR-112  |
| 210    | 45mm       | <b>053416</b> | TB-SXR-45M  |
|        | 1-15/16    | <b>049803</b> | TB-SXR-115  |
|        | 2          | @             | TB-SXR-200  |
| 211    | 50mm       | <b>053417</b> | TB-SXR-50M  |
|        | 2          | @             | TB-SXR-200L |
|        | 2-3/16     | @             | TB-SXR-203  |
|        | 55mm       | <b>053418</b> | TB-SXR-55M  |

@ Assembled to order.

FEATURES/BENEFITS  
PAGE B7-3

HOW TO ORDER/NOMENCLATURE  
PAGE B7-7

EASY SELECTION  
PAGE B7-8

ACCESSORIES  
PAGE B7-44

Eccentric Collar Ball Bearings  
Setscrew VSC Ball Bearing  
Eccentric SXV Collar Ball Bearing  
Take-Up Frames  
Engineering  
Part Number Index  
Keyword Index

# SELECTION/DIMENSIONS



## Eccentric Collar Ball Bearings SXR NORMAL DUTY TAPPED BASE PILLOW BLOCKS

Eccentric Collar Ball Bearing

Setscrew VSC Ball Bearing

Eccentric SXV Collar Ball Bearing

Take-Up Frames

Engineering

Part Number Index

Keyword Index

| Series | Shaft Size | Weight lbs. kg | A    | B     | C    | D     | J     | L    | M    | N Min. Tap Depth | R Bolt Hole UNC-Thread | S    |
|--------|------------|----------------|------|-------|------|-------|-------|------|------|------------------|------------------------|------|
| 204    | 3/4        | 1.5            | 1.55 | 2.88  | 1.50 | 2.00  | 2.56  | 1.31 | 1.31 | 0.50             | 3/8-16                 | 1.05 |
|        | 20mm       | 0.6            | 39.4 | 73.2  | 38.1 | 50.8  | 65.0  | 33.3 | 33.4 | 12.7             | M8x1.25                | 26.7 |
| 205    | 7/8        | 2.2            | 1.62 | 3.00  | 1.50 | 2.00  | 2.81  | 1.50 | 1.44 | 0.50             | 3/8-16                 | 1.06 |
|        | 15/16      | 2.1            |      |       |      |       |       |      |      |                  |                        |      |
|        | 1          | 2.0            |      |       |      |       |       |      |      |                  |                        |      |
| 206    | 25mm       | 0.8            | 41.1 | 76.2  | 38.1 | 50.8  | 71.4  | 38.1 | 36.5 | 12.7             | M10x1.5                | 26.9 |
|        | 1-1/16     | 3.2            | 1.77 | 4.00  | 1.50 | 3.00  | 3.38  | 1.75 | 1.69 | 0.63             | 7/16-14                | 1.19 |
|        | 1-1/8      | 3.0            |      |       |      |       |       |      |      |                  |                        |      |
|        | 1-3/16     | 2.8            |      |       |      |       |       |      |      |                  |                        |      |
| 207    | 1-1/4      | 3.2            |      |       |      |       |       |      |      |                  |                        |      |
|        | 1-1/8      | 3.0            |      |       |      |       |       |      |      |                  |                        |      |
|        | 1-3/16     | 2.8            |      |       |      |       |       |      |      |                  |                        |      |
|        | 1-1/4      | 2.6            |      |       |      |       |       |      |      |                  |                        |      |
|        | 30mm       | 1.1            | 45.0 | 101.6 | 38.1 | 76.2  | 85.9  | 44.5 | 42.9 | 16.0             | M10x1.5                | 30.2 |
| 208    | 1-1/4      | 4.4            | 1.95 | 4.25  | 1.88 | 3.25  | 3.75  | 2.13 | 1.88 | 0.75             | 1/2-13                 | 1.28 |
|        | 1-5/16     | 4.2            |      |       |      |       |       |      |      |                  |                        |      |
|        | 1-3/8      | 4              |      |       |      |       |       |      |      |                  |                        |      |
|        | 1-7/16     | 3.8            |      |       |      |       |       |      |      |                  |                        |      |
| 209    | 35mm       | 1.4            | 49.5 | 108.0 | 47.8 | 82.6  | 95.3  | 54.1 | 47.6 | 19.1             | M10x1.5                | 32.5 |
|        | 1-1/2      | 4.8            | 2.12 | 4.63  | 1.88 | 3.50  | 3.94  | 2.38 | 1.94 | 0.75             | 1/2-13                 | 1.37 |
| 210    | 40mm       | 1.8            | 53.8 | 117.6 | 47.8 | 88.9  | 100.1 | 60.5 | 49.2 | 19.1             | M12x1.75               | 34.8 |
|        | 1-5/8      | 5.9            | 2.13 | 5.00  | 2.00 | 3.75  | 4.25  | 2.50 | 2.13 | 0.75             | 1/2-13                 | 1.38 |
|        | 1-11/16    | 5.7            |      |       |      |       |       |      |      |                  |                        |      |
|        | 1-3/4      | 5.5            |      |       |      |       |       |      |      |                  |                        |      |
| 211    | 45mm       | 2.1            | 54.1 | 127.0 | 50.8 | 95.3  | 108.0 | 63.5 | 54.0 | 19.1             | M12x1.75               | 35.1 |
|        | 1-15/16    | 6.5            | 2.25 | 5.50  | 2.00 | 4.00  | 4.63  | 2.75 | 2.25 | 0.88             | 5/8-11                 | 1.50 |
|        | 2          | 6.3            |      |       |      |       |       |      |      |                  |                        |      |
| 211    | 50mm       | 2.4            | 57.2 | 139.7 | 50.8 | 101.6 | 117.6 | 69.9 | 57.2 | 22.4             | M16x2                  | 38.1 |
|        | 2          | 9.2            | 2.59 | 5.50  | 2.00 | 4.00  | 4.63  | 3.00 | 2.25 | 0.88             | 5/8-11                 | 1.71 |
|        | 2-3/16     | 9              |      |       |      |       |       |      |      |                  |                        |      |
| 211    | 55mm       | 3.3            | 65.8 | 139.7 | 50.8 | 101.6 | 117.6 | 76.2 | 57.2 | 22.4             | M16x2                  | 43.4 |
|        |            |                |      |       |      |       |       |      |      |                  |                        |      |

|                                |                                        |                             |                           |
|--------------------------------|----------------------------------------|-----------------------------|---------------------------|
| FEATURES/BENEFITS<br>PAGE B7-3 | HOW TO ORDER/NOMENCLATURE<br>PAGE B7-7 | EASY SELECTION<br>PAGE B7-8 | ACCESSORIES<br>PAGE B7-44 |
|--------------------------------|----------------------------------------|-----------------------------|---------------------------|